

NETIMPRESS Series Selection Guide

Hardware Configuration

Flash Programmer NETIMPRESS series is composed of 3 hardware units:

1. Flash Programmer Main Unit (Full Key type AF420/AF620 is recommended for development and evaluation purposes.)
2. Compact Module (CF media card for data storage and system files)
3. Probe cable (for connection with a target)

The software tools including the following can be downloaded for free at our Web site:

- Remote Controller AZ490
 - Key File Generator AZ481
 - FDF Sheet Generator AZ482
- *PC Driver for NETIMPRESS multi-control AZ491 is the nonfree software.

Main Unit

Main Unit is available in 4 models. However, their programming specifications and supported MPUs are same and common. Select an appropriate model according to your purpose.

Full Key type



Full Key type:

- Can be used for stand-alone operation too.
- Recommended for development & evaluation purposes.
- Host interface: 100BASE-TX

AF420/AC4P (MegaNETIMPRESS)

Target interface: Serial

AF620/AC4P (C'arNETIMPRESS)

Target interface: Serial & **CAN**

One-Touch Key type



One-Touch Key type:

- Can be used by assigning specific functions to the one-touch keys.
- Recommended for mass production lines
- Host interface: 100BASE-TX

AF320/AC4P (MegaNETIMPRESS)

Target interface: Serial

AF520/AC4P (C'arNETIMPRESS)

Target interface: serial & **CAN**

Compact Module

Compact Module is the specially designed CF Card and only provided by Yokogawa Digital Computer Corporation. Compact Module contains programming objects and data for flash programming and is used by being inserted into the slot of Main Unit. General purpose CF media does not work as Compact Module. When you order Compact Module, please specify the Definition File you will use.



Fx8xx/Dxx

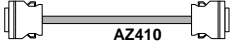
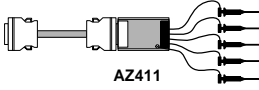

Definition File

Memory Size

- Check a model number of the Definition File with the Micom Pack list.
- Specify a model number of the Definition File and a CF memory size.
- When you add a new license to your existing Compact Module, please inform a model number and a serial number stamped on the label of Compact Module.

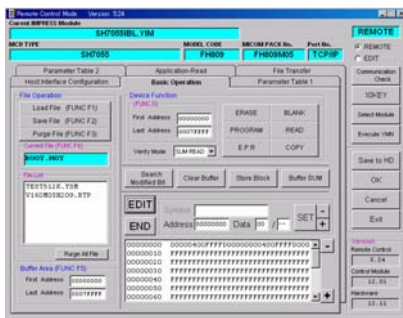
Probe Cable

The table below lists the cables you will need to connect NETIMPRESS with a target board. And, the adaptor will be required when using JTAG I/F, for example.

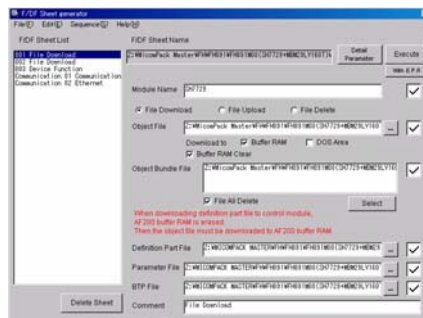
AZ410	AF420 AF320 AF620 AF520	NETIMPRESS' Side 	1m long probe with connector (DX10-28S) at both ends
AZ412			Untreated target side's end type of AZ410
AZ411	Serial Probe		1m long probe with clip harness
AZ413			Clip-less type of AZ411
AZ415	AF620 AF520		High speed CAN probe, D-sub 9-pin at target side
AZ416	CAN Probe		Low speed CAN probe, D-sub 9-pin at target side
AZ417			Single wire CAN probe, D-sub 9-pin at target side

Software Tool

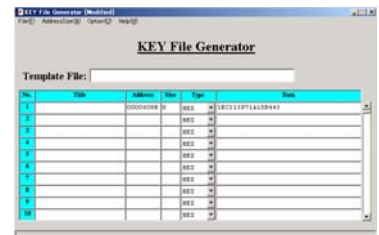
The Software tools for remote control of NETIMPRESS from a PC are available from our web site for free.



Remote Controller AZ490
(For programming function and file operation)



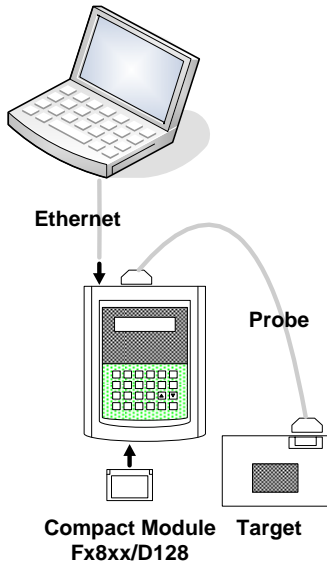
FDF Sheet Generator AZ482
(For setup of programming conditions)



Key file Generator AZ481
(For creating a password file)

*PC Driver for NETIMPRESS multi-control AZ491 is the nonfree software.

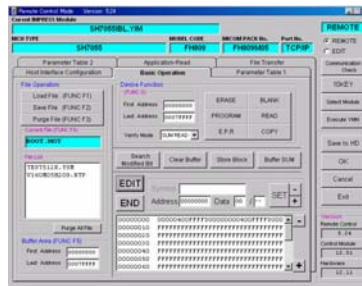
For Development & Evaluation



Flash Programmer NETIMPRESS series is composed of 3 hardware units:

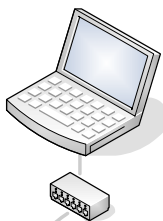
- Flash Programmer Main Unit (Full Key type AF420/AF620 is recommended for development and evaluation purposes.)
- Compact Module (CF media card for data storage and system files)
- Probe cable (for connection with a target)

Remote Controller AZ490 has the functions to execute flash programming and download files from a PC. (AZ490 is only for development purpose, available for free from our web site.)



For Mass Production

Remote PC-controlled line

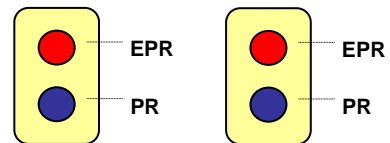


For PC-controlled mass production line, PC Driver for NETIMPRESS multi-control AZ491 is available as nonfree software. AZ491 can receive commands from your line system application through Windows COM interface, and control max. 8 units of Flash Programmer.

In-circuit tester

PC-less stand-alone line

NETIMPRESS series has an external connector. You can connect "start switch" to the connector and give a start trigger to NETIMPRESS. OK/NG states are also available.



In-circuit tester