

YH721 advicePLUS for SH7058F

Specifications

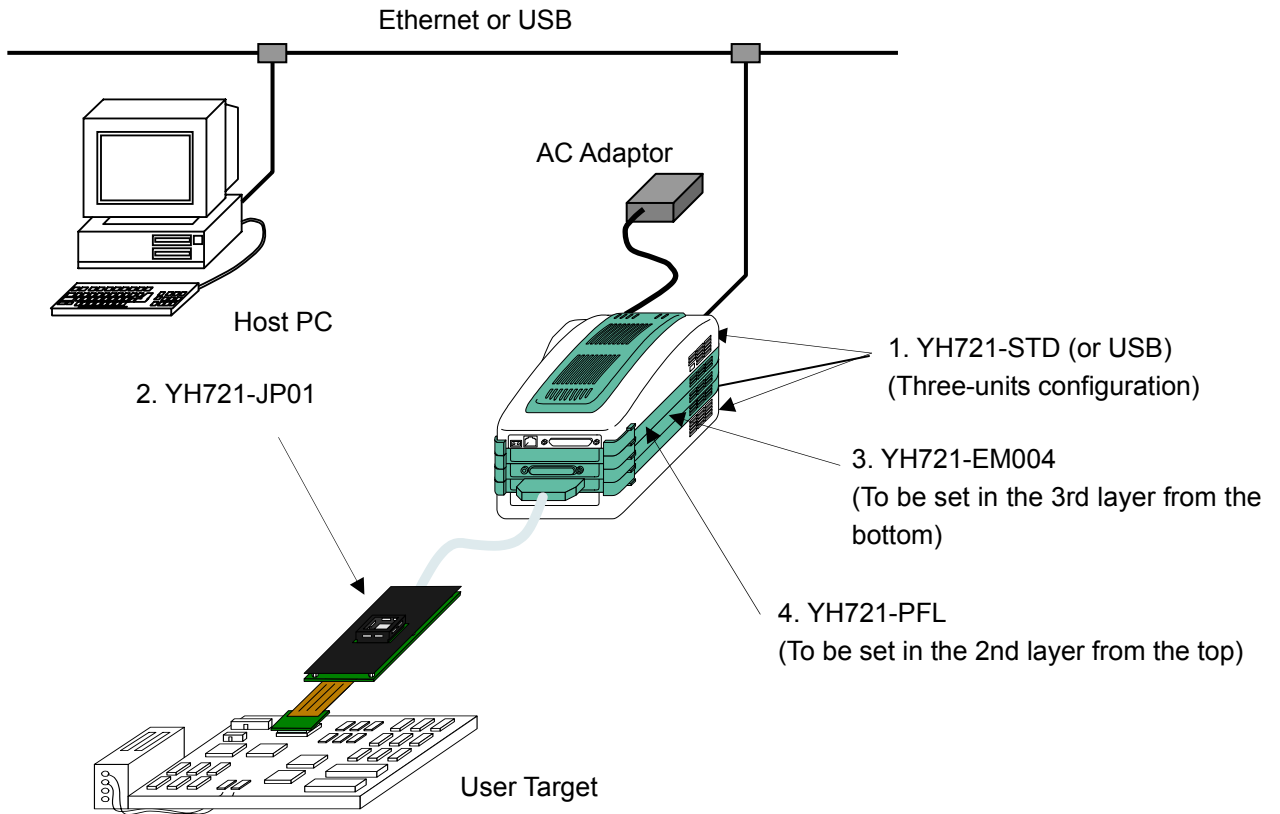
Common Part	
Target Processor	SH7058F
Operation Voltage	Vcc: 3.3v±0.3v PVcc1: 5v±0.5v, 3.3v±0.3v PVcc2: 5v±0.5v
Operating Clock	80 MHz (Max.)
Memory Space	All memory space is released to a user's system.
Interrupts	All interrupts are released to a user's system.
Endian	Little Endian/Big Endian are supported
Target System I/F	QFP 256pin, 0.5mm pitch (FP-256) Socket at probe head: TQSOCKET256RDG (Tokyo Eletec) Socket on target: TQPACK256RD (Tokyo Eletec)
Internal ROM/RAM Emulation	ROM: Internal resources on eva-chip (1MB) RAM: Internal resources on eva-chip (48KB)
Software Break	Point break: 1024 points by replacing instructions with software break
Hardware Break	Temporary break: 1 point (by using On-Chip Resource) Countable break: 1 point Event break: 15 points maximum (events are to be set up with OR condition)
OCD Break	10 points maximum

Other Specifications	
Host PC	PC/AT Compatible, Microsoft Windows 98SE, Me, XP, NT4.0, 2000 10BASE-T/100BASE-TX, USB1.1
Debugger	microVIEW-PLUS (DH721)
Compiler	Hitachi C/C++ compiler Green Hills C/C++ compiler Gaio Technology C compiler

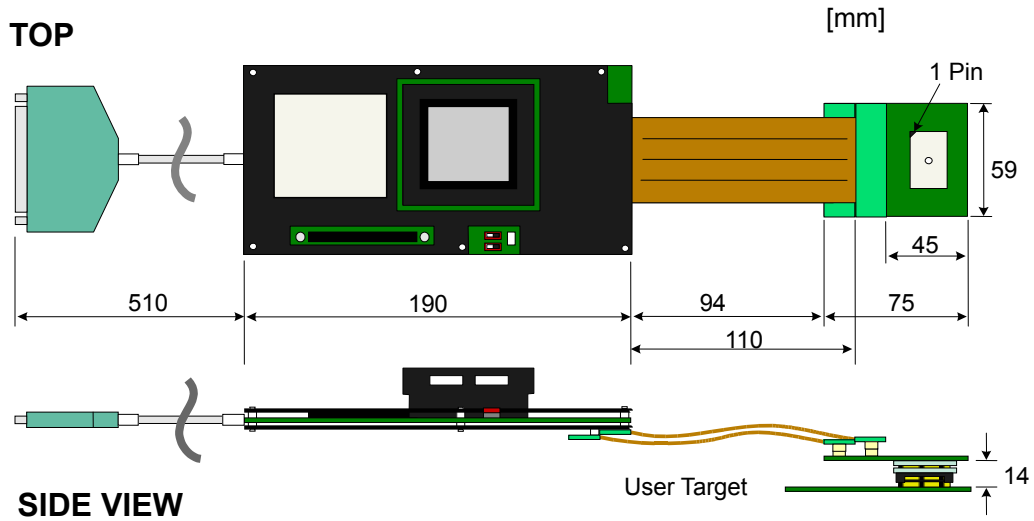
System Configuration

Model	Description
1	YL721-STD YL721-STD/COV02 YL721-STD/COV16 YL721-USB YL721-USB/COV02 YL721-USB/COV16
	Main Module for SH7058F, Ethernet I/F, AC adaptor Main Module for SH7058F, Ethernet I/F, AC adaptor, 2MB Coverage Main Module for SH7058F, Ethernet I/F, AC adaptor, 16MB Coverage Main Module for SH7058F, USB I/F and cable, AC adaptor Main Module for SH7058F, USB I/F and cable, AC adaptor, 2MB Coverage Main Module for SH7058F, USB I/F and cable, AC adaptor, 16MB Coverage
2	YL721-JP01
	Probe for SH7058F(QFP256pin, 0.5mm)
3	YL721-EM004
	External Bus Emulation Module for SH7058F(4MB)
4	YL721-PFL
	Profile Module
5	YL721-DP01
	Dummy Target for SH7058F(QFP256pin, 0.5mm), AC adaptor
6	DL721
	microVIEW-PLUS for SH7058F

System Connection Example



Probe



Yokogawa Digital Computer Corporation

Overseas Sales Division
 Keio-Fuchu 1-Chome Building
 1-9 Fuchucho, Fuchu-shi, Tokyo, 183-8516 Japan
 TEL: 81-42-333-6222 FAX: 81-42-352-6107
 URL: <http://www.ydc.co.jp/emb-e.html>
 E-mail: info@advice.ydc.co.jp